

Trimless recessed luminaire

Simple Round R50 D100 16W 930

ze11007488

Zenit

EAC

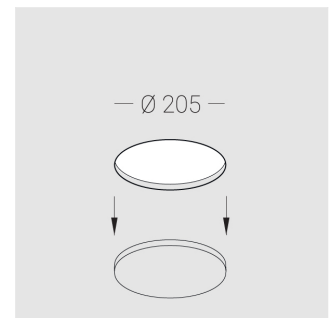
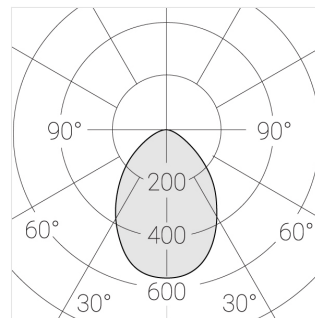
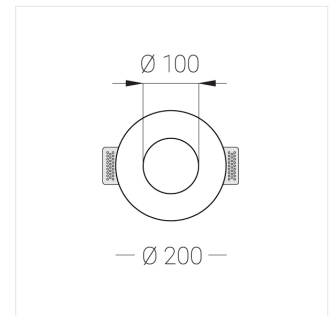
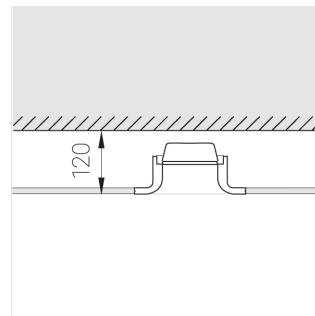
220-240 V



IP20

Ra >90

MAC 3



Complectation

Body	1
LED module	1
Control gear	1
Fastener	2
Screw x6	4
Screw self-tapping	2
Washer D5	4

Dimming by TRIAC accessible on request

The manufacturer reserves the right to change the configuration of the LED luminaire.

Specifications

Measurements:	D200x96 mm
Net weight:	1.06 kg
Round	
Body:	Gypsum
Illuminant:	LED
Electrical safety class:	II
Degree of protection:	IP20
Rated power:	15.7 w
Luminaire luminous flux*:	1107 lm
Light output*:	71.00 lm/w
Colorful temperature*:	3000 K
Color rendering index*:	Ra >90
Color temperature stability*:	MAC 3
cos *:	0.54
PRA:	LC 15/350/43 fixC SR SNC2

All parameters marked with * are calculated values. Zenith uses tried and tested components from leading suppliers. However, it is possible for some LED technology-related faults to occur over the life of the product.

** — the manufacturer reserves the right to replace the power supply with a similar one with the same characteristics.