

Trimless recessed luminaire



Tetro A25 44W 930 IP44/20

ze11009689



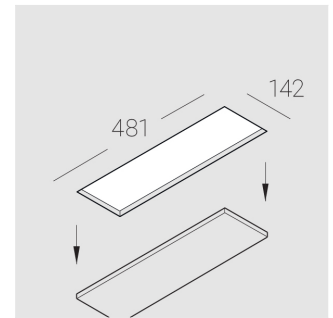
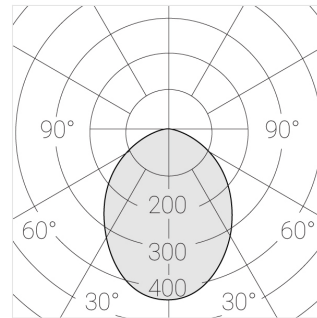
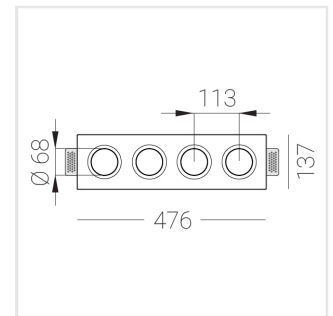
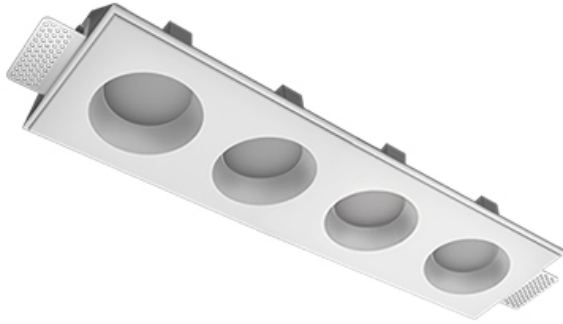
220-240 V



IP44

Ra >90

MAC 3



Complectation

| | |
|--------------------|---|
| Body | 1 |
| LED module | 4 |
| Control gear | 4 |
| Fastener | 2 |
| Screw x6 | 4 |
| Screw self-tapping | 2 |
| Washer D5 | 4 |
| Suction Cup | 1 |

Dimming by TRIAC accessible on request

The manufacturer reserves the right to change the configuration of the LED luminaire.

Specifications

| | |
|-------------------------------|----------------------|
| Measurements: | 475x137x70 mm |
| Net weight: | 2.6 kg |
| Quadruple | |
| Body: | Gypsum |
| Illuminant: | LED |
| Electrical safety class: | II |
| Degree of protection: | IP44 |
| Rated power: | 44.8 w |
| Luminaire luminous flux*: | 3017 lm |
| Light output*: | 67 lm/w |
| Colorful temperature*: | 3000 K |
| Color rendering index*: | Ra >90 |
| Color temperature stability*: | MAC 3 |
| cos *: | 0.5 |
| PRA: | Mean Well APC-12-350 |

All parameters marked with * are calculated values.
Zenith uses tried and tested components from leading suppliers.
However, it is possible for some LED technology-related faults to occur over the life of the product.

** — the manufacturer reserves the right to replace the power supply with a similar one with the same characteristics.