

# Trimless recessed luminaire



Tetro A25 44W 930 DW

ze11009694



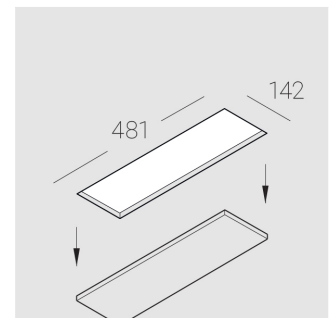
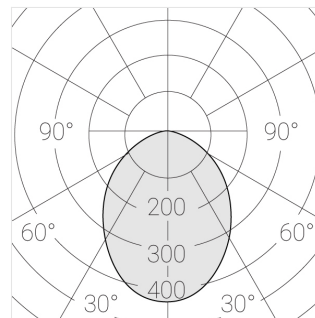
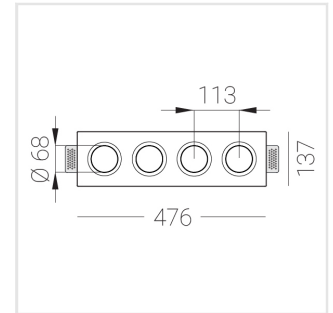
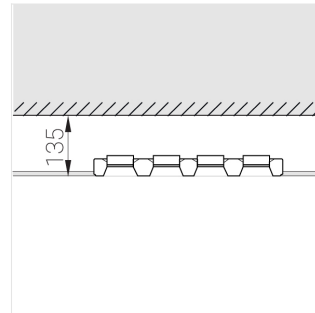
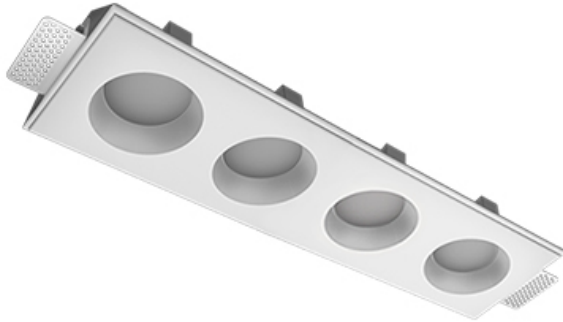
220-240 V



IP20

Ra >90

MAC 3



## Complectation

|                    |   |
|--------------------|---|
| Body               | 1 |
| LED module         | 4 |
| Control gear       | 1 |
| Fastener           | 2 |
| Screw x6           | 4 |
| Screw self-tapping | 2 |
| Washer D5          | 4 |
| Suction Cup        | 1 |

Dimming by TRIAC accessible on request

The manufacturer reserves the right to change the configuration of the LED luminaire.

## Specifications

|                               |                                   |
|-------------------------------|-----------------------------------|
| Measurements:                 | 475x137x70 mm                     |
| Net weight:                   | 2.45 kg                           |
| Quadruple                     |                                   |
| Body:                         | Gypsum                            |
| Illuminant:                   | LED                               |
| Electrical safety class:      | II                                |
| Degree of protection:         | IP20                              |
| Rated power:                  | 41.5 W                            |
| Luminaire luminous flux*:     | 3017 lm                           |
| Light output*:                | 73 lm/W                           |
| Colorful temperature*:        | 3000 K                            |
| Color rendering index*:       | Ra >90                            |
| Color temperature stability*: | MAC 3                             |
| cos *:                        | 0.97                              |
| PRA:                          | LCA 45W 500-1400mA one4all SC PRE |

All parameters marked with \* are calculated values. Zenith uses tried and tested components from leading suppliers. However, it is possible for some LED technology-related faults to occur over the life of the product.

\*\* — the manufacturer reserves the right to replace the power supply with a similar one with the same characteristics.