

Large-size trimless recessed luminaire



Simple MAX R50 D400 64W 840 DA
ze11009057



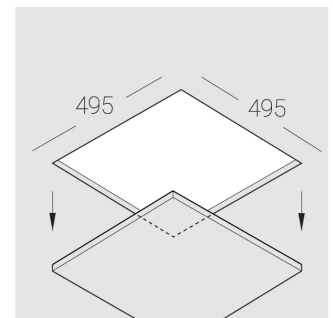
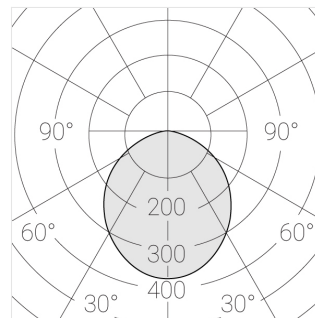
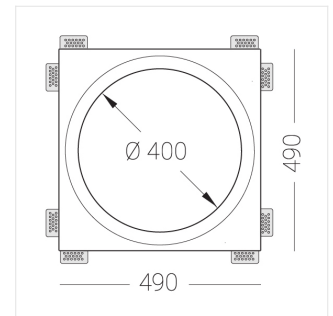
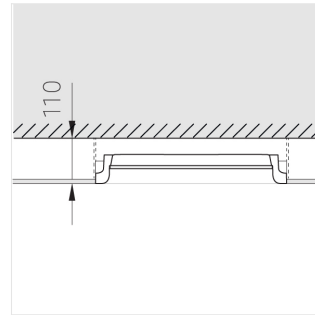
220-240 V



IP20

Ra >80

MAC 3



Complectation

Body	1
LED module	1
Control gear	1
Fastener	8
Screw x6	16
Screw self-tapping	16
Washer D5	20
Suction Cup	2
Bracket	4
Screw M5x8	4

Dimming by TRIAC accessible on request

The manufacturer reserves the right to change the configuration of the LED luminaire.

Specifications

Measurements:	490x490x110 mm
Net weight:	9.17 kg
Round	
Body:	Gypsum
Illuminant:	LED
Electrical safety class:	II
Degree of protection:	IP20
Rated power:	63.7 W
Luminaire luminous flux*:	7394 lm
Light output*:	116.00 lm/W
Colorful temperature*:	4000 K
Color rendering index*:	Ra >80
Color temperature stability*:	MAC 3
cos *	0.97
PRA:	LCA 60W 900-1750mA one4all SR PRE

All parameters marked with * are calculated values.
Zenith uses tried and tested components from leading suppliers.
However, it is possible for some LED technology-related faults to occur over the life of the product.

** — the manufacturer reserves the right to replace the power supply with a similar one with the same characteristics.