

Suspension luminaire



Liny Q RAL L600 8W 927 DW

ze34001528



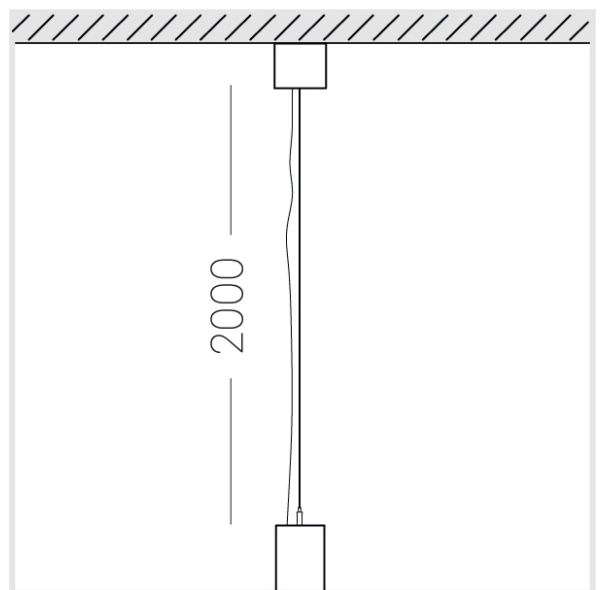
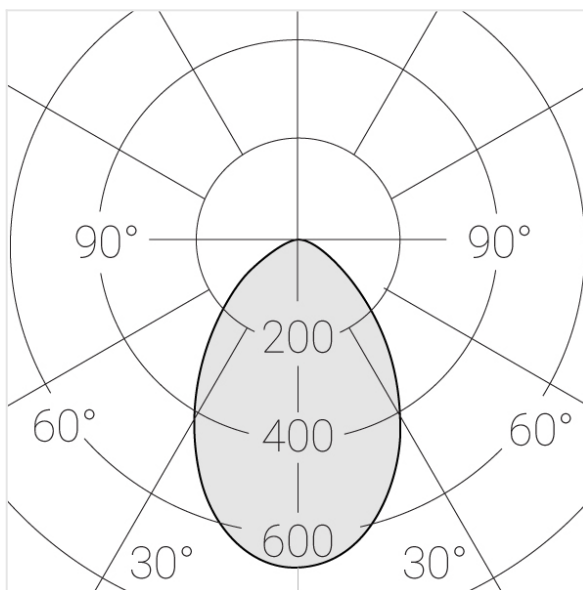
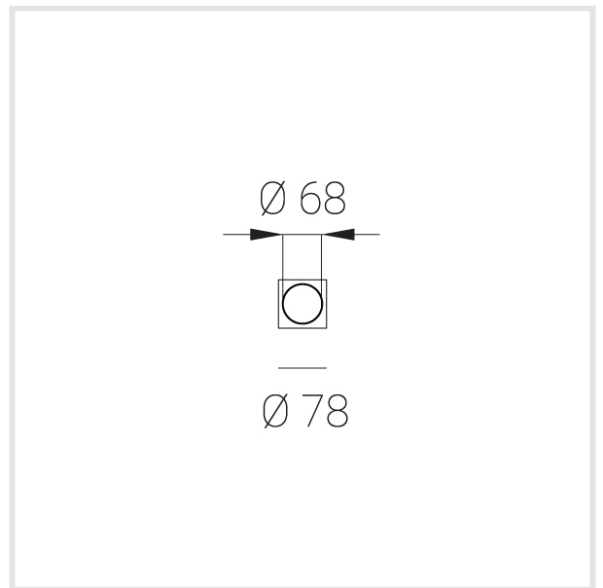
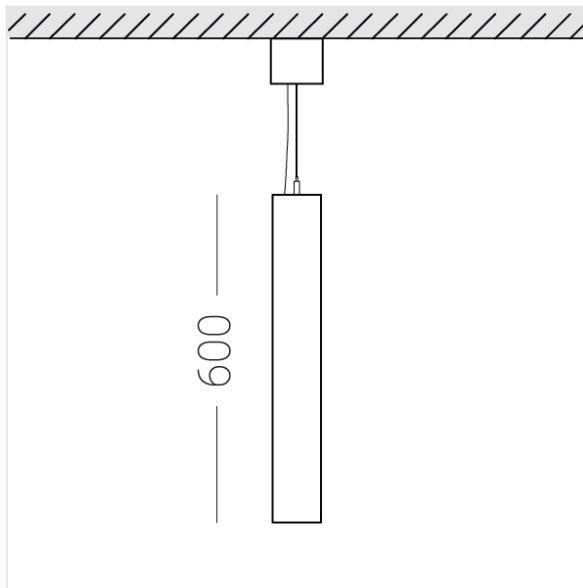
220-240 V



IP20

Ra >90

MAC 3



Compelectionation

| | |
|--------------------|---|
| Body | 1 |
| LED module | 1 |
| Conrol gear | 1 |
| Ceiling attachment | 1 |
| Suspension cord | 1 |
| Cable | 1 |

Dimming by TRIAC accessible on request

The manufacturer reserves the right to change the configuration of the LED luminaire.

Specifications

Measurements: 78x78x600; 78x78x65 mm
Net weight: 2.75 kg

Tube square
Body: Gypsum
Illuminant: LED

Electrical safety class: I
Degree of protection: IP20
Rated power: 8.1 w
Luminaire luminous flux*: 403 lm
Light output*: 50.00 lm/w
Colorful temperature*: 2700 K
Color rendering index*: Ra >90
Color temperature stability*: MAC 3
cos *: 0.95
PRA: LC 10/150-400/40 bDW SC PRE2

All parameters marked with * are calculated values.
Zenith uses tried and tested components from leading suppliers.
However, it is possible for some LED technology-related faults to occur over the life of the product.

** — the manufacturer reserves the right to replace the power supply with a similar one with the same characteristics.