

Trimless recessed luminaire



Tetro Q A25 44W 840 DW

ze11010492



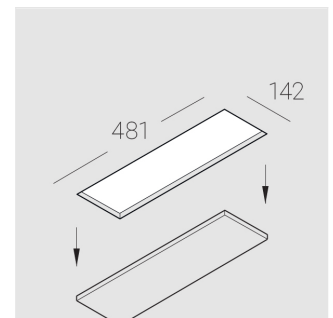
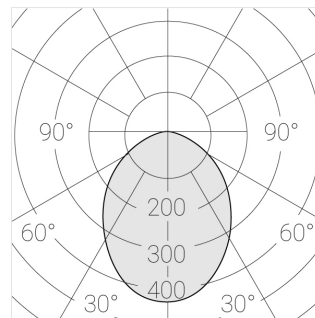
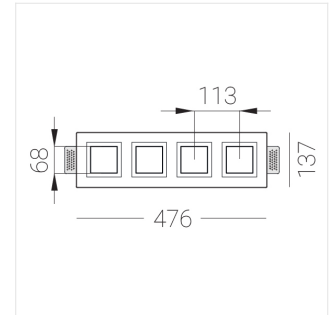
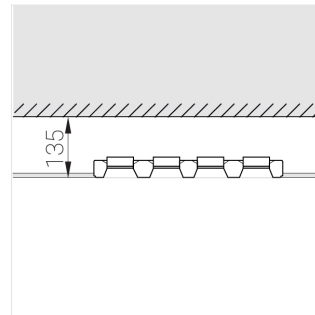
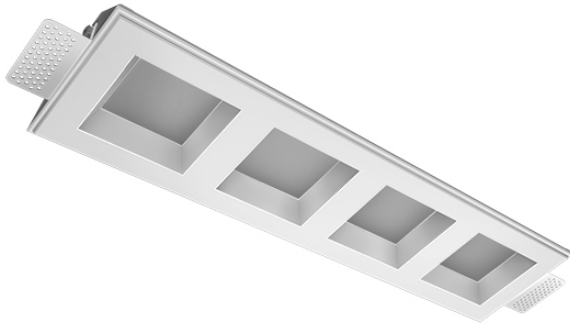
220-240 V



IP20

Ra >80

MAC 3



Complectation

Body	1
LED module	4
Control gear	1
Fastener	2
Screw x6	4
Screw self-tapping	2
Washer D5	4
Suction Cup	1

Dimming by TRIAC accessible on request

The manufacturer reserves the right to change the configuration of the LED luminaire.

Specifications

Measurements: 475x137x70 mm

Quadruple

Body: Gypsum
Illuminant: LED

Electrical safety class: II

Degree of protection: IP20

Rated power: 41.5 W

Luminaire luminous flux*: 3770 lm

Light output*: 94.00 lm/W

Colorful temperature*: 4000 K

Color rendering index*: Ra >80

Color temperature stability*: MAC 3

cos *: 0.97

PRA: LCA 45W 500-1400mA one4all SC PRE

All parameters marked with * are calculated values. Zenith uses tried and tested components from leading suppliers. However, it is possible for some LED technology-related faults to occur over the life of the product.

** — the manufacturer reserves the right to replace the power supply with a similar one with the same characteristics.