

Suspension luminaire



EVO Hang IN Black D300 45W 830

ze37001001

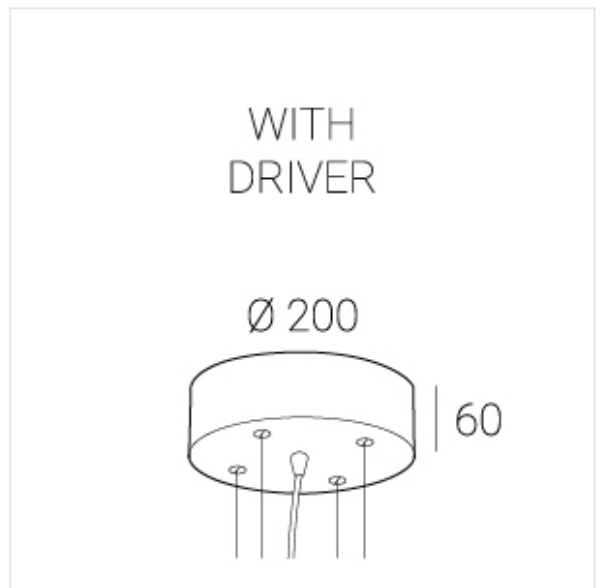
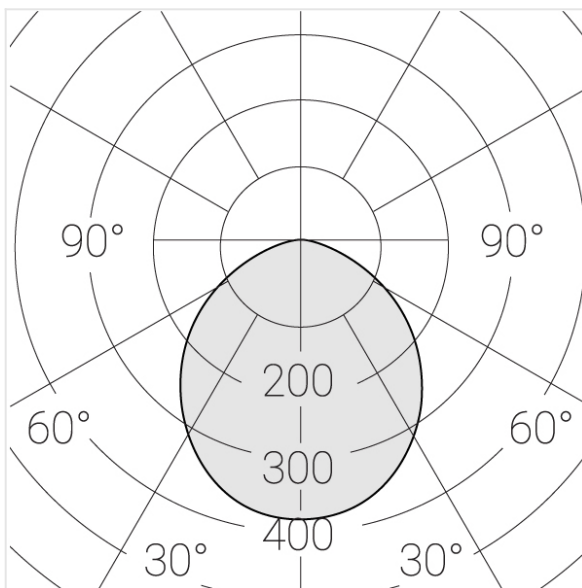
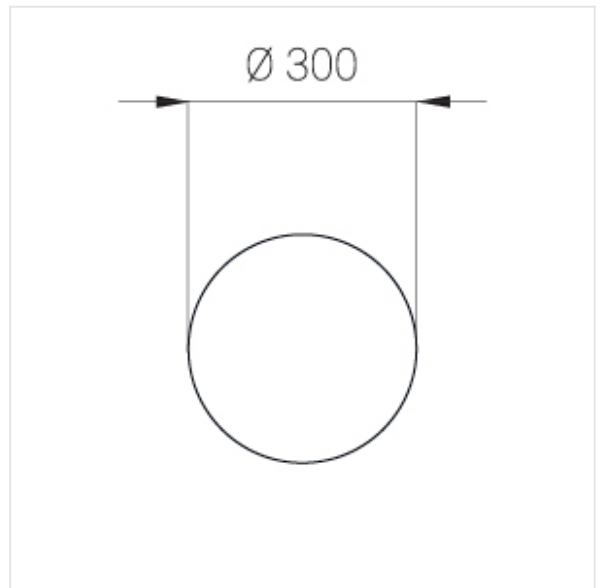
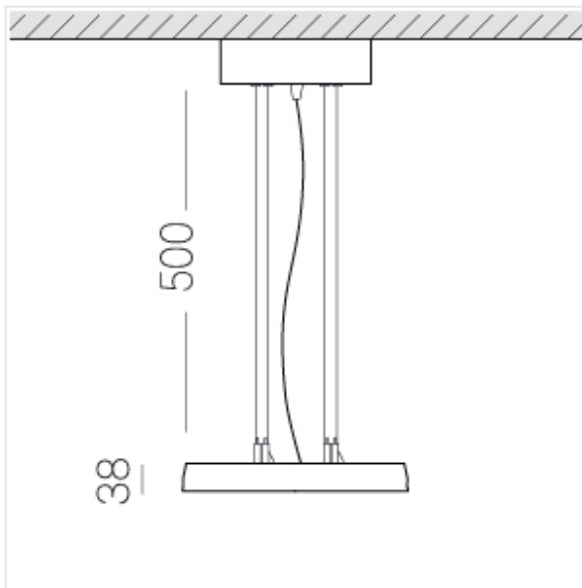
220-240 V



IP20

Ra >80

MAC 3



Compectation

LED module	1
Ceiling attachment	1
Suspension cord	4
Cable	1

IN - power supply integrated into the ceiling cup, see installation manual.

The manufacturer reserves the right to change the configuration of the LED luminaire.

Specifications

Measurements: D300x38; D160x25 mm

Round

Body: Aluminum

Illuminant: LED

Electrical safety class: I

Degree of protection: IP20

Rated power: 44.5 w

Luminaire luminous flux*: 4875 lm

Light output*: 110 lm/w

Colorful temperature*: 3000 K

Color rendering index*: Ra >80

Color temperature stability*: MAC 3

cos *: 0.95

PRA: LC 45W 500-1400mA flexC SR EXC

All parameters marked with * are calculated values.

Zenith uses tried and tested components from leading suppliers.

However, it is possible for some LED technology-related faults to occur over the life of the product.

** – the manufacturer reserves the right to replace the power supply with a similar one with the same characteristics.