

# Suspension luminaire



EVO Hang OUT Black D300 45W 830

ze37001301

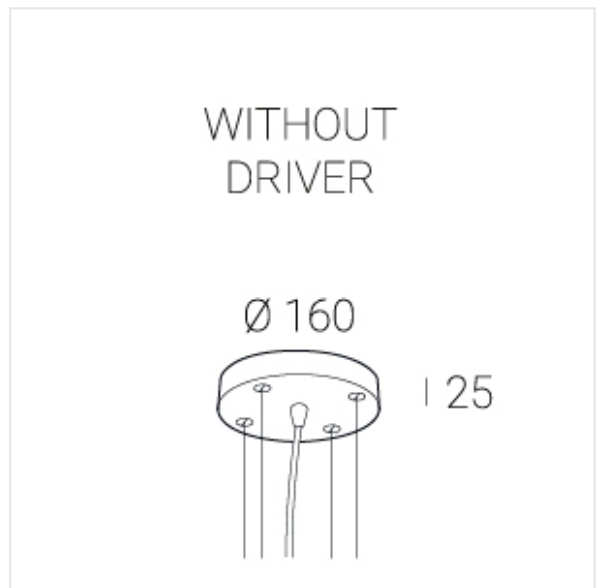
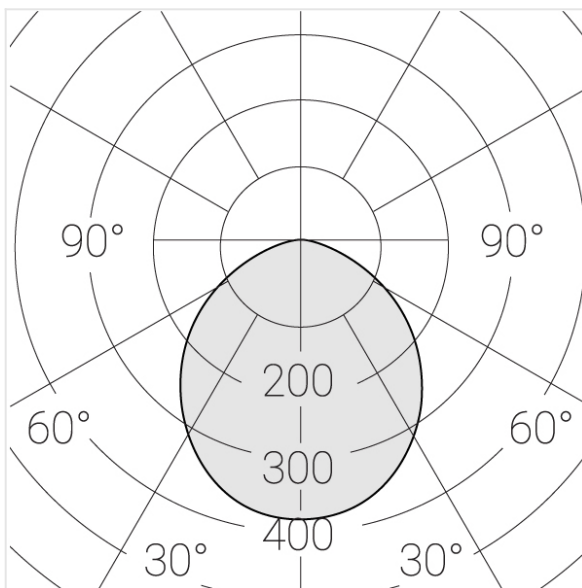
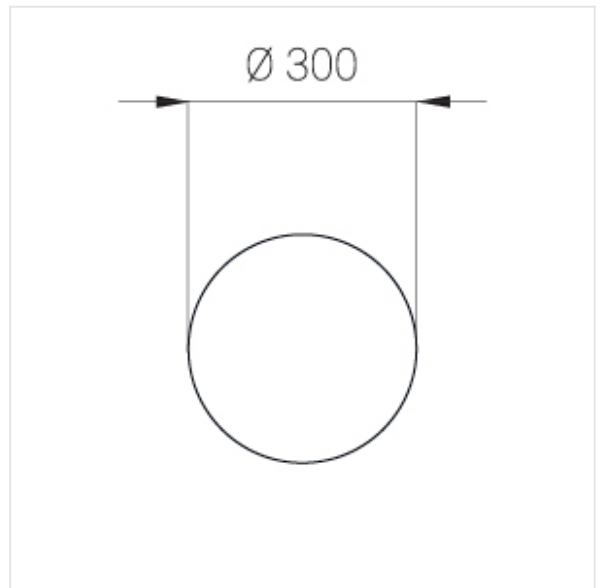
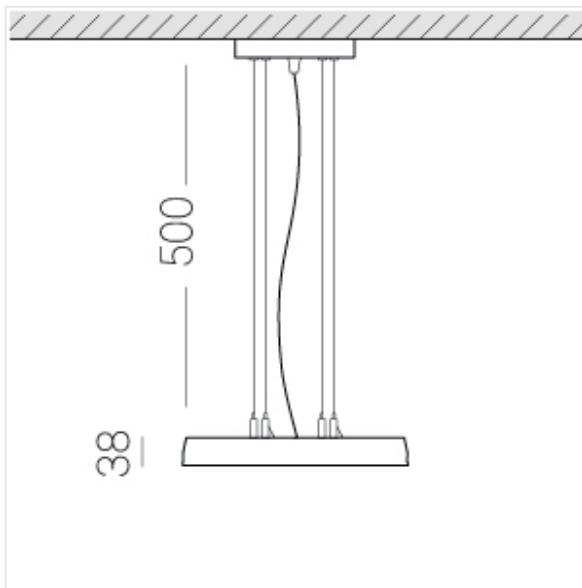
220-240 V



IP20

Ra >80

MAC 3



## Compectation

---

LED module	1
Conrol gear	1
Ceiling attachment	1
Suspension cord	4
Cable	1

OUT- external power supply, see installation manual.

The manufacturer reserves the right to change the configuration of the LED luminaire.

## Specifications

---

Measurements: D300x38; D200x60 mm

Round

Body: Aluminum

Illuminant: LED

Electrical safety class: II

Degree of protection: IP20

Rated power: 44.5 w

Luminaire luminous flux\*: 4875 lm

Light output\*: 110 lm/w

Colorful temperature\*: 3000 K

Color rendering index\*: Ra >80

Color temperature stability\*: MAC 3

cos \*: 0.95

PRA: LC 45W 500-1400mA flexC SR EXC

All parameters marked with \* are calculated values.

Zenith uses tried and tested components from leading suppliers.

However, it is possible for some LED technology-related faults to occur over the life of the product.

\*\* – the manufacturer reserves the right to replace the power supply with a similar one with the same characteristics.