

Suspension luminaire



EVO Hang OUT Black D300 45W 930
ze37001304

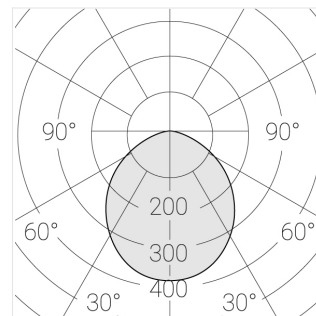
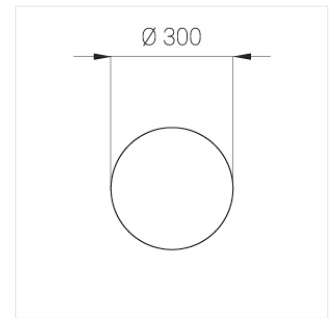
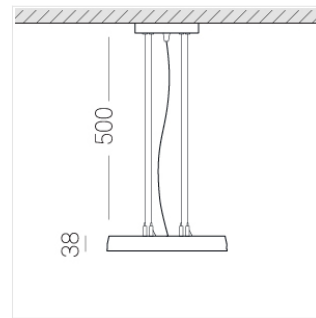
220-240 V



IP20

Ra >90

MAC 3



Complectation

LED module	1
Control gear	1
Ceiling attachment	1
Suspension cord	4
Cable	1

OUT- external power supply, see installation manual.

The manufacturer reserves the right to change the configuration of the LED luminaire.

Specifications

Measurements: D300x38; D200x60 mm

Round
Body: Aluminum
Illuminant: LED

Electrical safety class: II
Degree of protection: IP20
Rated power: 44.5 W
Luminaire luminous flux*: 4203 lm
Light output*: 94 lm/W
Colorful temperature*: 3000 K
Color rendering index*: Ra >90
Color temperature stability*: MAC 3
cos *: 0.95
PRA: LC 45W 500-1400mA flexC SR EXC

All parameters marked with * are calculated values.
Zenith uses tried and tested components from leading suppliers.
However, it is possible for some LED technology-related faults to occur over the life of the product.

** — the manufacturer reserves the right to replace the power supply with a similar one with the same characteristics.