

Suspension luminaire



EVO Hang OUT Black D300 45W 830 DA

ze37001321

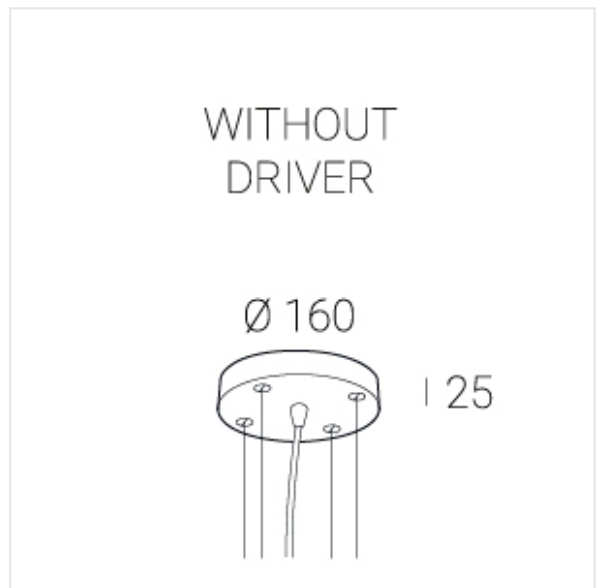
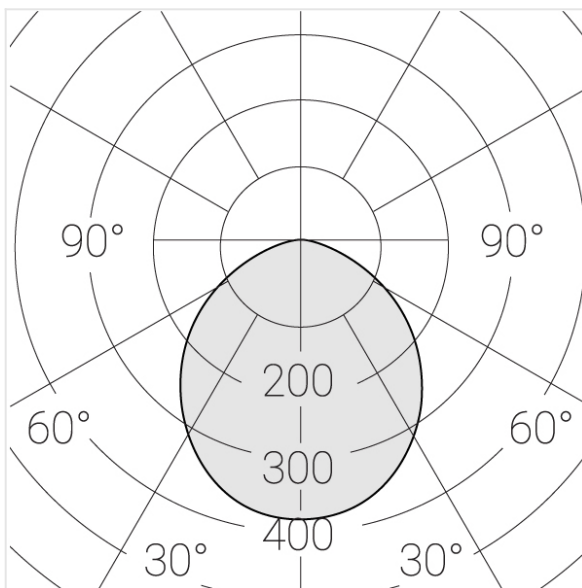
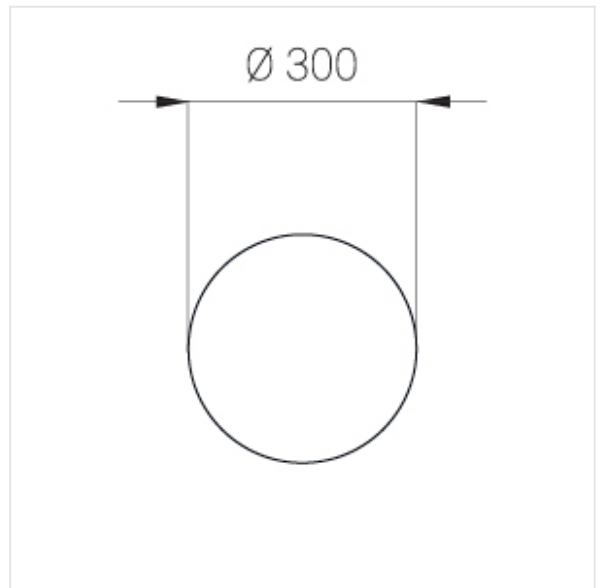
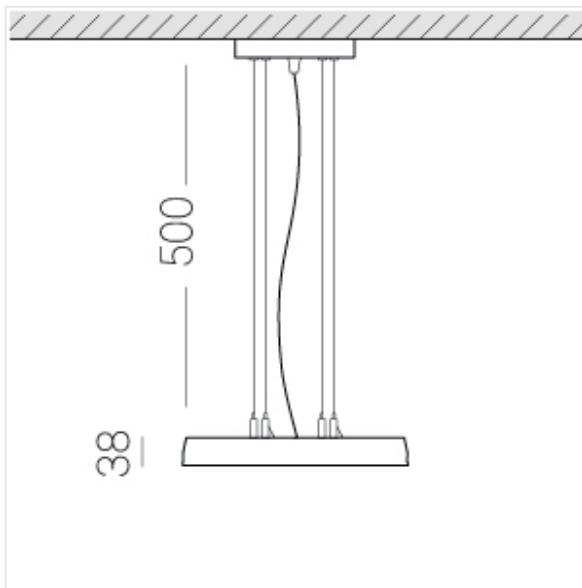
220-240 V



IP20

Ra >80

MAC 3



Compectation

LED module	1
Conrol gear	1
Ceiling attachment	1
Suspension cord	4
Cable	1

OUT- external power supply, see installation manual.

The manufacturer reserves the right to change the configuration of the LED luminaire.

Specifications

Measurements: D300x38; D200x60 mm

Round

Body: Aluminum

Illuminant: LED

Electrical safety class: II

Degree of protection: IP20

Rated power: 44.5 w

Luminaire luminous flux*: 4875 lm

Light output*: 110 lm/w

Colorful temperature*: 3000 K

Color rendering index*: Ra >80

Color temperature stability*: MAC 3

cos *: 0.96

PRA: LCA 45W 500-1400mA one4all SR PRE

All parameters marked with * are calculated values.
Zenith uses tried and tested components from leading suppliers.
However, it is possible for some LED technology-related faults to occur over the life of the product.

** — the manufacturer reserves the right to replace the power supply with a similar one with the same characteristics.