

Trimless recessed luminaire

Tetro A25 44W 840 IP44/20

ze11009687



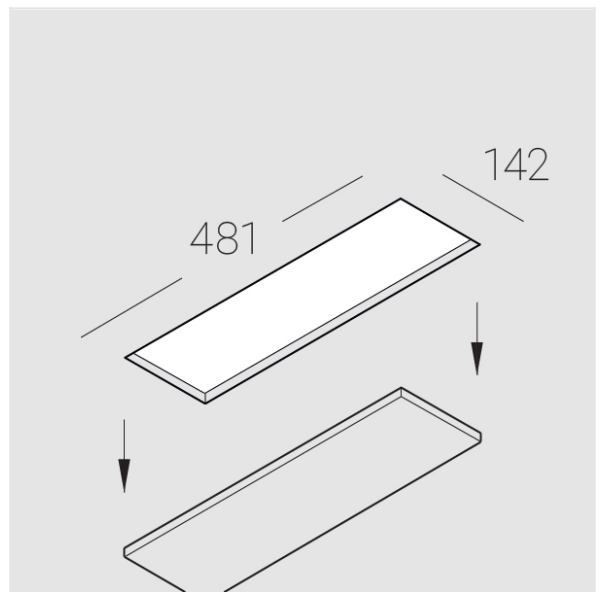
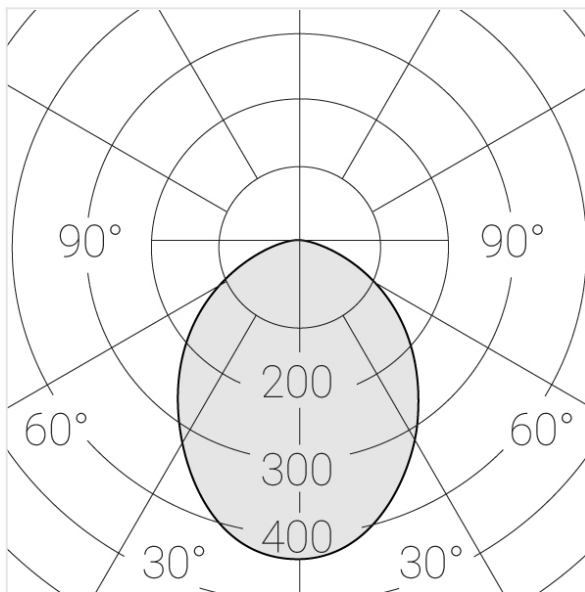
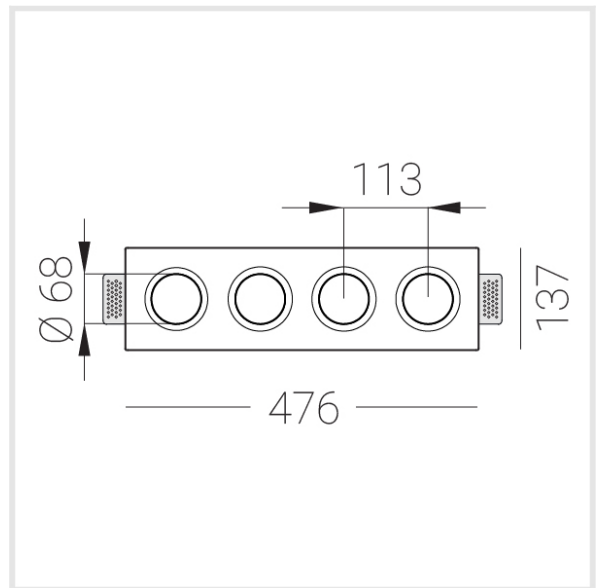
220-240 V



IP44

Ra >80

MAC 3



Compectation

Body	1
LED module	4
Conrol gear	4
Fastener	2
Screw x6	4
Screw self-tapping	2
Washer D5	4
Suction Cup	1

Dimming by TRIAC accessible on request

The manufacturer reserves the right to change the configuration of the LED luminaire.

Specifications

Measurements:	475x137x70 mm
Net weight:	2.6 kg
Quadruple	
Body:	Gypsum
Illuminant:	LED
Electrical safety class:	II
Degree of protection:	IP44
Rated power:	44.8 w
Luminaire luminous flux*:	3770 lm
Light output*:	84 lm/w
Colorful temperature*:	4000 K
Color rendering index*:	Ra >80
Color temperature stability*:	MAC 3
cos *:	0.5
PRA:	Mean Well APC-12-350

All parameters marked with * are calculated values.
Zenith uses tried and tested components from leading suppliers.
However, it is possible for some LED technology-related faults to occur over the life of the product.

** – the manufacturer reserves the right to replace the power supply with a similar one with the same characteristics.