

# Trimless recessed luminaire

Zenit

Tetro A25 32W 830 IP44/20 DA

ze11009841



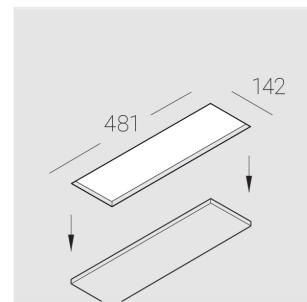
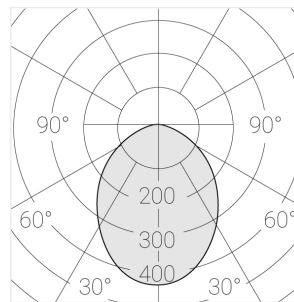
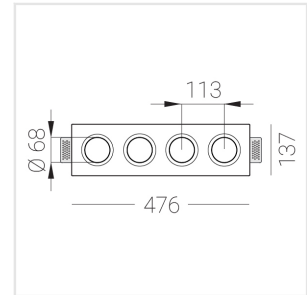
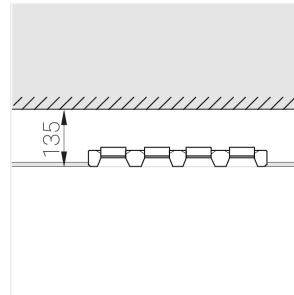
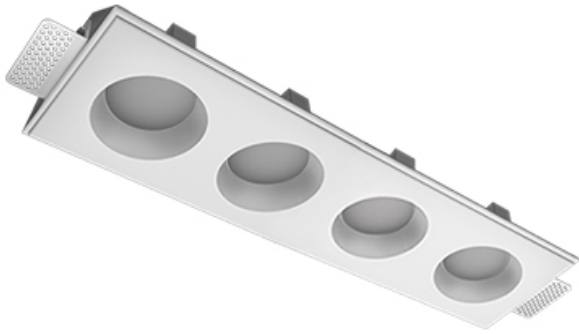
220-240 V



IP44

Ra >80

MAC 3



## Complectation

Body	1
LED module	4
Control gear	1
Fastener	2
Screw x6	4
Screw self-tapping	2
Washer D5	4
Suction Cup	1

Dimming by TRIAC accessible on request

## Specifications

Measurements:	475x137x70 mm
Net weight:	2.45 kg
Quadruple	
Body:	Gypsum
Illuminant:	LED
Electrical safety class:	II
Degree of protection:	IP44
Rated power:	29.1 w
Luminaire luminous flux*:	2556 lm
Light output*:	88 lm/w
Colorful temperature*:	3000 K
Color rendering index*:	Ra >80
Color temperature stability*:	MAC 3
cos *:	0.94
PRA:	LCA 45W 500-1400mA one4all SC PRE

All parameters marked with \* are calculated values. Zenith uses tried and tested components from leading suppliers. However, it is possible for some LED technology-related faults to occur over the life of the product.