

# Trimless recessed luminaire

Simple Quadro R50 100x100 12W 940 DA  
ze11005079



EAC

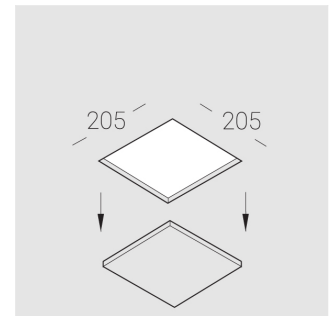
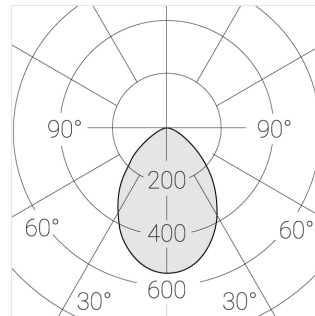
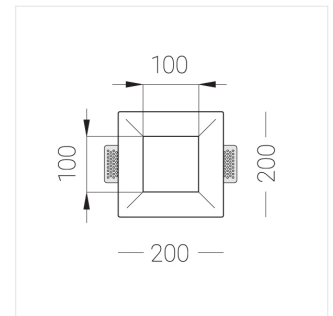
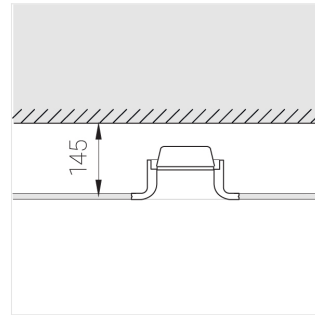
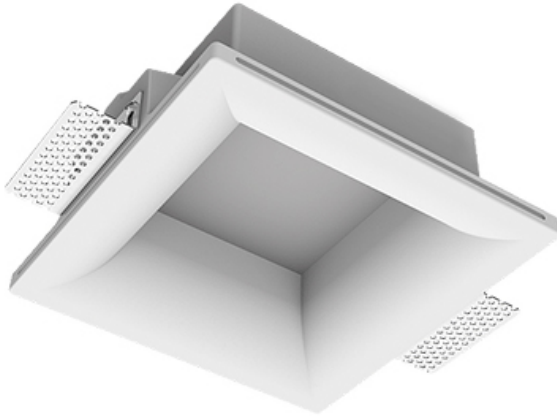
220-240 V



IP20

Ra >90

MAC 3



## Complectation

|                    |   |
|--------------------|---|
| Body               | 1 |
| LED module         | 1 |
| Control gear       | 1 |
| Fastener           | 2 |
| Screw x6           | 4 |
| Screw self-tapping | 2 |
| Washer D5          | 4 |

Dimming by TRIAC accessible on request

The manufacturer reserves the right to change the configuration of the LED luminaire.

## Specifications

|                               |                               |
|-------------------------------|-------------------------------|
| Measurements:                 | 200x200x96 mm                 |
| Net weight:                   | 1.62 kg                       |
| Square                        |                               |
| Body:                         | Gypsum                        |
| Illuminant:                   | LED                           |
| Electrical safety class:      | II                            |
| Degree of protection:         | IP20                          |
| Rated power:                  | 12.2 w                        |
| Luminaire luminous flux*:     | 960 lm                        |
| Light output*:                | 79.00 lm/w                    |
| Colorful temperature*:        | 4000 K                        |
| Color rendering index*:       | Ra >90                        |
| Color temperature stability*: | MAC 3                         |
| cos *:                        | 0.8                           |
| PRA:                          | LCAI 15W 150mA-400mA ECO slim |

All parameters marked with \* are calculated values.  
Zenith uses tried and tested components from leading suppliers.  
However, it is possible for some LED technology-related faults to occur over the life of the product.

\*\* — the manufacturer reserves the right to replace the power supply with a similar one with the same characteristics.