

# Trimless recessed luminaire

Simple Longy A25 100x200 16W 930 DW  
ze11005407



EAC

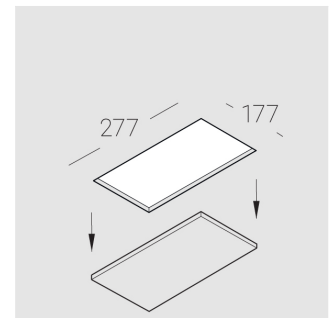
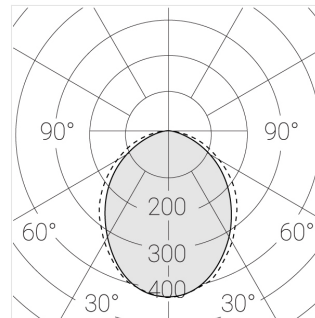
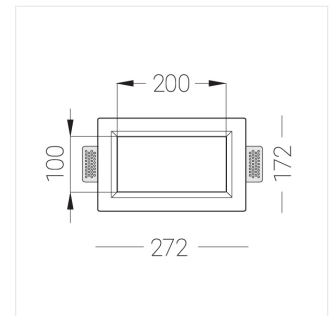
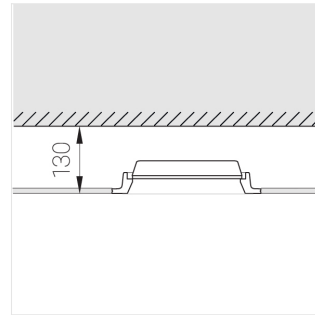
220-240 V



IP20

Ra >90

MAC 3



## Complectation

|                    |   |
|--------------------|---|
| Body               | 1 |
| LED module         | 1 |
| Control gear       | 1 |
| Fastener           | 2 |
| Screw x6           | 4 |
| Screw self-tapping | 2 |
| Washer D5          | 4 |

Dimming by TRIAC accessible on request

The manufacturer reserves the right to change the configuration of the LED luminaire.

## Specifications

|                               |                              |
|-------------------------------|------------------------------|
| Measurements:                 | 272x172x70 mm                |
| Net weight:                   | 1.7 kg                       |
| Rectangular                   |                              |
| Body:                         | Gypsum                       |
| Illuminant:                   | LED                          |
| Electrical safety class:      | II                           |
| Degree of protection:         | IP20                         |
| Rated power:                  | 16 W                         |
| Luminaire luminous flux*:     | 1529 lm                      |
| Light output*:                | 96.00 lm/w                   |
| Colorful temperature*:        | 3000 K                       |
| Color rendering index*:       | Ra >90                       |
| Color temperature stability*: | MAC 3                        |
| cos *:                        | 0.97                         |
| PRA:                          | LC 17/250-700/50 bDW SC PRE2 |

All parameters marked with \* are calculated values.  
Zenith uses tried and tested components from leading suppliers.  
However, it is possible for some LED technology-related faults to occur over the life of the product.

\*\* — the manufacturer reserves the right to replace the power supply with a similar one with the same characteristics.