

Suspension luminaire



EVO Hang IN Black D400 64W 830
ze37001061

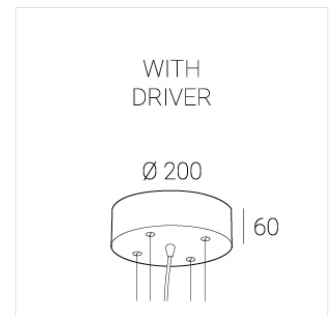
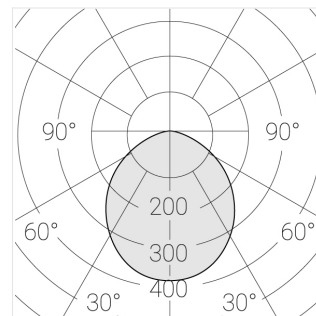
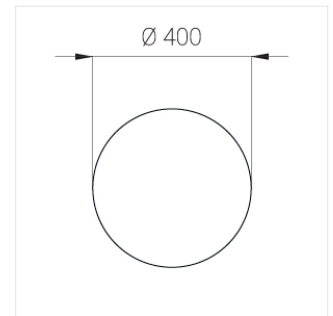
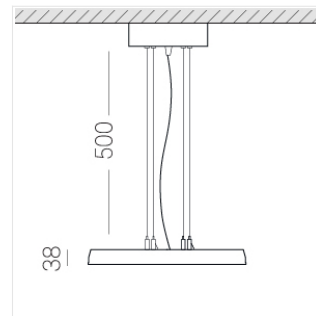
220-240 V



IP20

Ra >80

MAC 3



Complectation

LED module	1
Ceiling attachment	1
Suspension cord	4
Cable	1

IN - power supply integrated into the ceiling cup, see installation manual.

The manufacturer reserves the right to change the configuration of the LED luminaire.

Specifications

Measurements: D400x38; D160x25 mm

Round
Body: Aluminum
Illuminant: LED

Electrical safety class: I
Degree of protection: IP20
Rated power: 63.7 w
Luminaire luminous flux*: 7243 lm
Light output*: 114.00 lm/w
Colorful temperature*: 3000 K
Color rendering index*: Ra >80
Color temperature stability*: MAC 3
cos *: 0.97
PRA: LC 60W 900-1750mA flexC SR EXC

All parameters marked with * are calculated values.
Zenith uses tried and tested components from leading suppliers.
However, it is possible for some LED technology-related faults to occur over the life of the product.

** — the manufacturer reserves the right to replace the power supply with a similar one with the same characteristics.