

Suspension luminaire



EVO Hang OUT Black D400 64W 930 DA
ze37001384

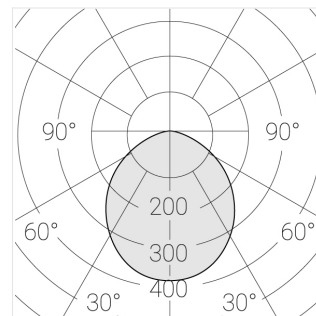
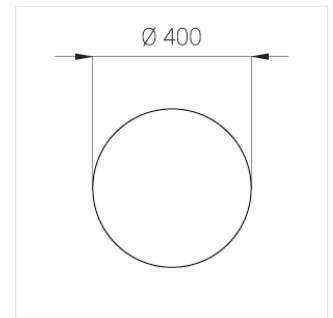
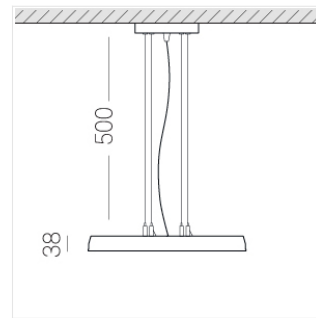
220-240 V



IP20

Ra >90

MAC 3



Complectation

LED module	1
Control gear	1
Ceiling attachment	1
Suspension cord	4
Cable	1

OUT- external power supply, see installation manual.

The manufacturer reserves the right to change the configuration of the LED luminaire.

Specifications

Measurements: D400x38; D200x60 mm

Round
Body: Aluminum
Illuminant: LED

Electrical safety class:	II
Degree of protection:	IP20
Rated power:	63.7 W
Luminaire luminous flux*:	6243 lm
Light output*:	98.00 lm/W
Colorful temperature*:	3000 K
Color rendering index*:	Ra >90
Color temperature stability*:	MAC 3
cos *:	0.97
PRA:	LCA 60W 900-1750mA one4all SR PRE

All parameters marked with * are calculated values.
Zenith uses tried and tested components from leading suppliers.
However, it is possible for some LED technology-related faults to occur over the life of the product.

** — the manufacturer reserves the right to replace the power supply with a similar one with the same characteristics.